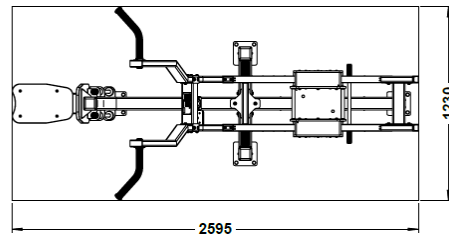
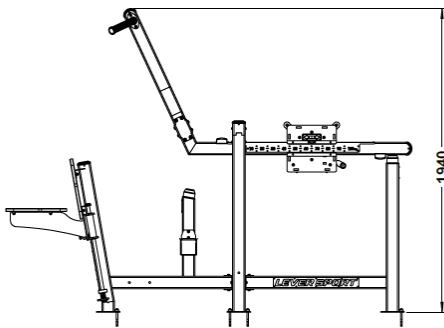
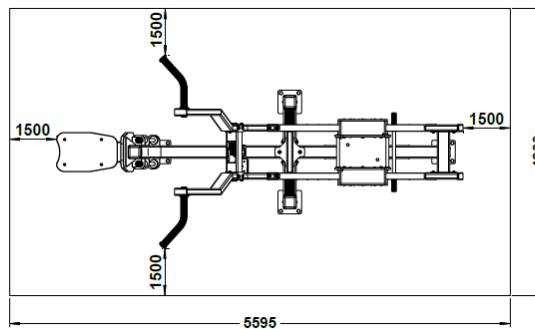


# YD-LKF1170

## LAT PULL DOWN TECHNICAL SPECIFICATIONS



### Safe Settlement Area Measure



## 1. SCOPE

This specification covers the technical characteristics of the mechanical LAT PULL DOWN machine, designed for use in outdoor sports areas, which targets the lower and upper body muscles.

## 2. GENERAL FEATURES

All metal parts shall be sandblasted.

The machines will feature a compartment for users to place their phones and drinks.

Each machine will feature a QR code providing access to a video explaining the correct use and operating principle of the product.

Each part will be packaged to prevent friction and scratches during transport.

Products will not have any sharp edges or surface details that could cause harm to the human body during use. Contact points will consist of rounded lines and curves.

## 3. SURFACE TREATMENTS AND PAINT

Oil, rust, and dirt on metal surfaces will be cleaned using a pressurised air spraying method.

The material surface will be sandblasted to open pores, ensuring better adhesion of the zinc primer and paint.

After sandblasting, all metal surfaces will be painted with zinc primer-coated electrostatic paint.

## 4. MECHANICAL SYSTEM AND BODY STRUCTURE

Square profiles measuring 80 x 80 x 4 mm will be used in the main body of the machine.

Rectangular profiles measuring 40 x 80 x 4 mm will be used in the moving load arms.

The shaft connecting the main body and the load arms will have a diameter of Ø40 mm.

The moving load arms will be connected to the main body with self-sealed bearings.

6206 surface-coated bearings will be used.

The bearing systems will be protected against water, dust and external factors with polyamide-based covers produced by plastic injection moulding.

The machine will be manufactured for use by multiple persons.

## 5. WEIGHT SYSTEM

The weight increment system will be designed to increase by 5 kg at each level.

The minimum working weight will be no less than 10 kg, and the maximum working weight will be no less than 100 kg.

The weight system will have a mechanism that can slide equally on the right and left load arms.

The mechanism will be capable of operating on both sides and will allow for dual-sided use.

A single wheel will be used in each weight system, and each wheel system will have two enclosed and surface-coated bearings.

The weight system will move forwards and backwards on Ø 90 mm wheels on a 40x80x4 mm load arm.

UV-printed aluminium labels will be used as kilogram increase/decrease indicators. (There will be no foil or adhesive labels.)

The profile rails on which the weight moves will be covered with wear and corrosion-resistant stainless steel sheet.

The weight system will be equipped with a double-sided locking mechanism that prevents forward and backward movement during operation.

The locking mechanism will operate via a Ø21x2 mm steel tube, and Ø30 mm rubber hand grips (93 mm) will be located at user contact points.

A Ø20 mm chrome shaft will be used to ensure the integrity of the weight system.

## **6. SAFETY AND ERGONOMICS**

Ø72x52 mm rubber buffers will be used to prevent impact situations.

To prevent metal-to-metal contact, 45x68x35 mm elliptical rubber buffers will be mounted on 40x80 profiles.

For user safety, half-circle, square or elliptical polyamide caps will be fitted to the ends of the 40x80 – 80x80 profiles.

## **7. SEAT AND ADJUSTMENT MECHANISM**

The seat platform will be vertically adjustable according to the user's height.

The adjustment mechanism will operate on sliding bearings and Ø20 mm stainless steel shafts.

Locking holes and a stainless steel safety pin will be provided for height adjustment.

Metal parts with pins will be manufactured from 2 mm CrNi 304 stainless steel sheet.

## **8. SUPPORTS AND HANDLES**

The back, chest and seat platforms will be manufactured from 19 mm thick vandal-resistant UHDPE (Ultra

High Density Polyethylene) material.

The handrails will be manufactured from Ø34 and 48\*3 mm tubing. To prevent hands from slipping on the handrails, a PVC-added product containing synthetic rubber, which is unaffected by adverse weather conditions and sunlight, will be used.

## **10. DIMENSIONS AND ASSEMBLY**

The passive (closed) dimensions of the machine shall be at least 1230 mm width x 2595 mm length x 1940 mm height.

The product shall be fully demountable for transport.

**The products shall be manufactured in accordance with EN-16-630 standards.**